



LANDSHARK™

Z-BLOWER Attachment



OWNER'S MANUAL

**Debris Blowers for the professional
Blow the Competition Away...**

Covers All Models

**Please Read all safety and operating instructions before using
machine.**

555 Goodrich Rd
Bellevue, OH 44811
419-483-9918
419-483-8128 fax
www.selbro.com
Salesinfo@selbro.com

SELBRO
INCORPORATED *A PoweQuip
Company*



We would like to thank you for your purchase of our professional grade LandShark high output debris blower. All our products are fabricated and assembled using quality parts and heavy gauge steel materials in our Bellevue, Ohio facility. The machine you have is designed to provide many years of service.

The LandShark Team

Table of Contents	Page
1) Applications and uses _____	2
2) Service information _____	3
3) Safety Information _____	3,4
4) Warnings (Do Not) _____	5
5) Warnings (Do) _____	5,6
6) Engine and Fuel Warnings _____	6
7) Blower Assembly _____	6,7
8) Operating Instructions _____	7
9) Maintenance _____	7,8
10) Exploded View _____	9
11) Parts List _____	11

1) Applications and uses:



The versatility of the LandShark Blower makes it ideal for a wide range of uses. Blowing leaves, drying tennis courts, blowing grass clippings, cleaning parking lots, cleaning driveways, snow in some cases, preparing roof surfaces before repairs are made and blowing thatch from golf course greens and tees.

This manual provides information for safe and efficient operation and service. It is important that you read and understand this manual before operating your blower.

⚠ Warning: The engine exhaust from this product contains chemicals known to the State of California to cause cancer, birth defects or other reproductive harm.

2) Service Information:

Engine: Refer to the enclosed Engine Manual provided by the engine manufacturer or an authorized repair facility for replacement parts and engine warranty. Blower Components: Contact your local LandShark dealer.

3) Safety Information:

⚠ WARNING: This symbol indicates important safety instructions. When you see this symbol, **⚠** pay special attention to its warning!! Stay Alert!!

⚠ WARNING: TO REDUCE THE POTENTIAL FOR ACCIDENTS, ALWAYS COMPLY WITH THE SAFETY INSTRUCTIONS IN THIS MANUAL. FAILURE TO DO SO MAY RESULT IN PERSONAL INJURY AND / OR EQUIPMENT AND PROPERTY DAMAGE.

⚠ WARNING: IMPROPER USE OR CARE OF THE BLOWER, FAILURE TO WEAR PROPER SAFETY PROTECTION CAN RESULT IN SERIOUS INJURY. READ AND UNDERSTAND THE RULES FOR SAFE OPERATION AND ALL INSTRUCTIONS IN THIS MANUAL.



WEAR HEARING AND EYE PROTECTION AT ALL TIMES WHEN OPERATING THIS BLOWER.

Safety Decals

An important part of the safety information for this blower are the safety decals found on various parts of the blower. These decals must always remain visible and in good condition. It is your responsibility to replace the decals if they become worn, damaged or hard to read. A sample of the decal is shown.

Caution:
Thrown
Objects.

Keep
Bystanders
away

Always wear
Eye and Ear
protection



IMPORTANT Before performing any service or maintenance, disconnect the spark plug wire and make sure the throttle and kill switch is in the off position.

Read and understand the owners manual. Pay particular attention to ALL sections regarding safety. Keep your owners manual in a secure place for future reference.

Keep hands and feet away from discharge areas. Rotating fan will cause serious injury

P/N 1100-074
Warning Label



General safety Rules

Read and understand the operators manual. Pay specific attention to all areas pertaining to safety. Keep your operators manual in a secure place.

WARNING --- KEEP CHILDREN, PETS, and BYSTANDERS AWAY ---Do not permit children to touch blower. Keep children a safe distance away from work area. Never allow a person under the influence of alcohol or drugs to operate the blower.

DO NOT OVERREACH OR STAND ON UNSTABLE SURFACES when operating the blower. Keep good footing at all times.

WHEN OPERATING MULTIPLE MACHINES ---Keep a safe distance between operators when working simultaneously.

WARNING DANGER Misuse of blower or failure to follow all safety precautions may result in serious injury to the operator or others. read and understand the following before attempting to operate this blower!!!

4)Warnings - - Do not Do!

DANGER ROTATING FAN --- KEEP HANDS AWAY. DO NOT attempt to clear debris of any sort from the intake area or discharge area of the blower while the engine is running.

DO NOT POINT THE BLOWER DISCHARGE OUTLET in the direction of people, cars, glass, or other items which could be injured or damaged by flying debris.

DO NOT ATTEMPT TO REPAIR BLOWER --- repairs should be made by an authorized LandShark dealer. Make sure that only LandShark and recommended engine manufacturer's parts are used.

5)Warnings - - Do

BE SURE BLOWER IS PROPERLY ASSEMBLED --- Never operate the blower without all guards and deflectors in place. Make sure all hardware is properly tightened and secure.



KEEP HANDS AWAY FROM AIR INTAKE AND AIR OUTLET CHUTE --- Keep both hands on handle at all times when operating the blower.

ALWAYS KEEP THE THROTTLE (if equipped) IN THE “STOP” POSITION WHEN NOT IN USE.

DRESS PROPERLY --- Do not wear loose clothing or jewelry. These items can be pulled into moving parts. Safety glasses and ear protection are recommended.

MAINTENANCE IS IMPORTANT --- Follow the routine maintenance instructions provided in this manual and your engine manual.

6) Engine / Fuel Warnings

WARNING DANGER HANDLE FUEL WITH CARE, IT IS HIGHLY FLAMMABLE. FUELING A HOT ENGINE OR NEAR AN IGNITION SOURCE CAN CAUSE FIRE AND RESULT IN SERIOUS PERSONAL INJURY AND / OR PROPERTY DAMAGE.

Do not smoke when handling fuel.

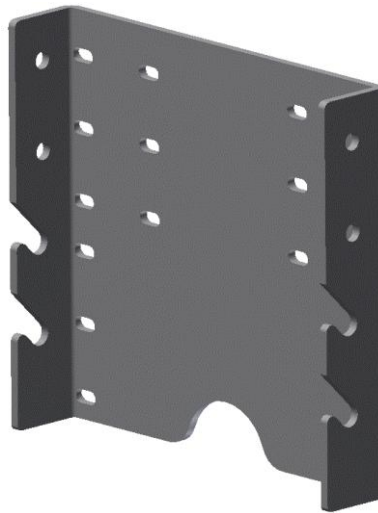
- B) Do not refuel an engine that is hot or running.
- C) Do not refuel indoors.
- D) Do not start or run indoors as poisonous carbon monoxide is emitted.
- E) Do not operate in un-ventilated area.
- F) Avoid spilling fuel or oil.

WARNING - All debris blowers are shipped without oil. When filling with oil, refer to the engine manufacturers operating instructions for proper type and amount.

7) Blower Assembly Instructions

The LandShark Z-Blower is shipped completely assembled.

2} The universal mounting bracket is designed to fit most Zero Turn Mowers with a minimum of a 60” mowing deck.



3} Position Universal Mounting Bracket on the rear of the mower and align mounting holes. Mount the bracket to insure adequate ground clearance when the blower is mounted. A minimum of 9" is recommended from the bottom of the blower housing to the ground.

Note: if the mounting holes do not line up with existing holes it will be necessary to drill holes in order to facilitate the mounting. Be sure to use a minimum of 4 (four) mounting holes. Failure to do this will result in damage to the mower, the mount and the blower.

ATTENTION! COUNTER-WEIGHT KITS MUST BE USED IN CONJUNCTION WITH THE BLOWER. REFER TO THE MOWER MANUFACTURERS RECOMMENDATION WHEN USING REAR ATTACHMENTS AND GRASS COLLECTION SYSTEMS. THE BLOWER ATTACHMENT WEIGHS 145 LBS

Impeller Removal

(This procedure should only be performed at a qualified dealer)

1. Remove intake guard and ring.
2. Remove 3 bolts securing fan to tapered bushing. Place a 1 1/8" socket or spacer over crank shaft and tap with hammer to drive bushing back toward engine. (8 Hp and above only) This will release fan and allow easy removal.



Note: On 6Hp models, the socket or spacer will vary in size according to the crankshaft.

3. When re-installing, replacement of the taper bushing is recommended. Be sure to follow all tightening and torque specifications.

8) Operating Instructions

Refer to engine manual for engine operation.

Follow the directions in the engine manual for proper oil and quantity.

Leaves, thatch, debris and other materials can be directed into windrows or piles making clean up easier and faster.

The maneuverability of the Zero Turn Mower increases productivity significantly.

The horizontal discharge deflector directs air downward to “chisel” under wet heavy leaves and litter.

Slight changes in deflector angle will have a big effect on air direction and flow. Experiment until you find the best performance.

Keep engine recoil and blower intake free from debris.

9) Maintenance Instructions

Keep all nuts, bolts and screws tight.

Never store the blower with fuel in the tank inside a building or confined space where fumes can accumulate and potentially ignite.

Engine - 4 cycle- Refer to the manufacturers operating instructions regarding fuel recommendations, starting and storage.

All safety labels should be inspected and clearly visible to the operator.

To prevent accidental starting, disconnect the spark plug wire when servicing engine or blower.

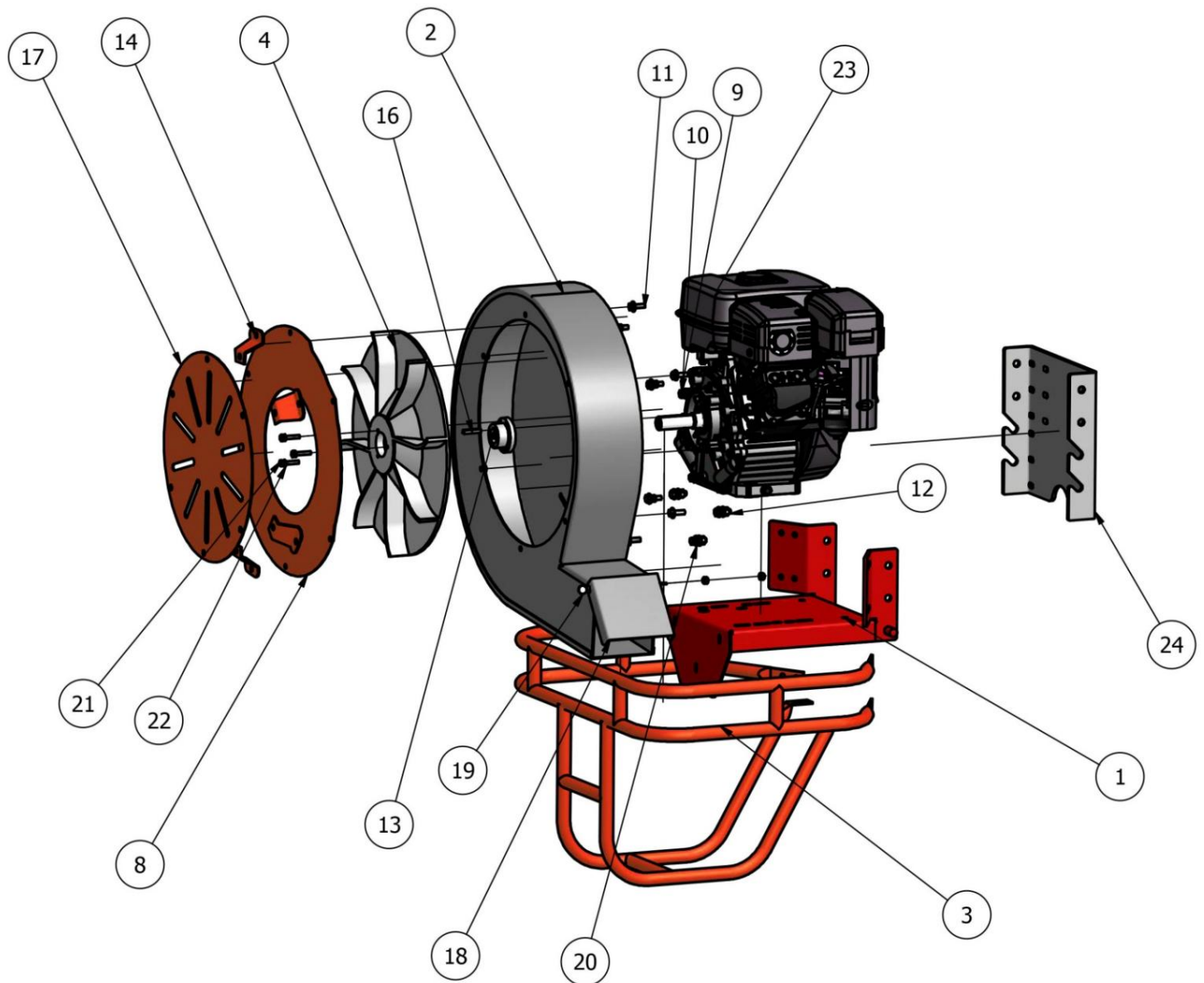
Check oil regularly.

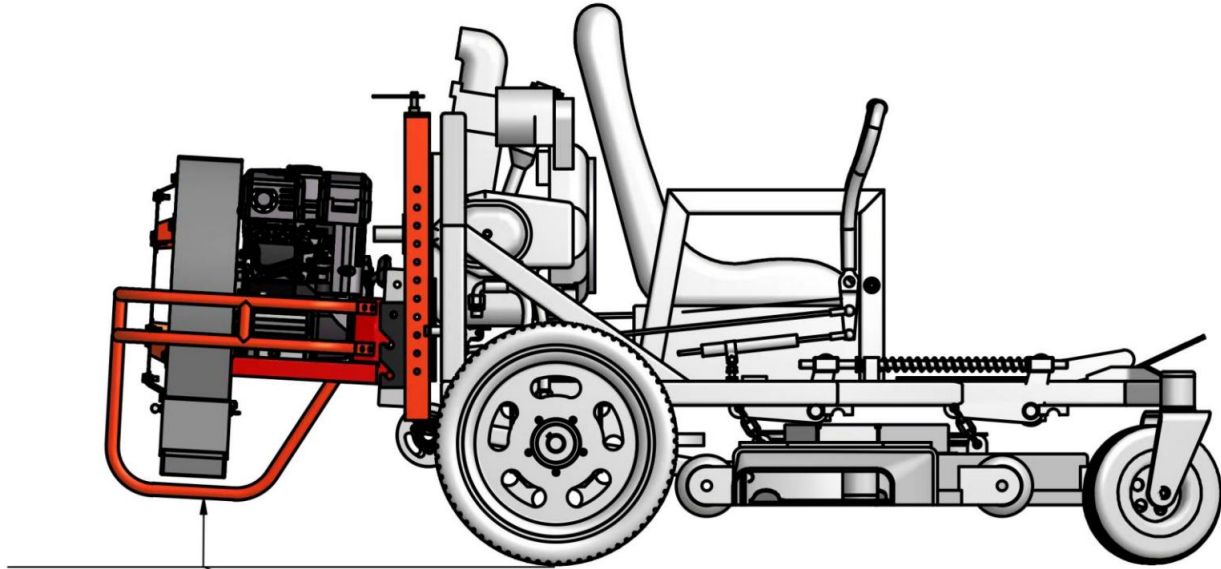


Warning: The engine exhaust from this product contains chemicals known to the State of California to cause cancer, birth defects or other reproductive harm.

Parts Illustration

Model LSHZ-9****





DISTANCE FROM LOWER CAGE TUBE TO GROUND SHOULD BE
MINIMUM 9" CLEARANCE

ATTENTION!

Counterweights Must be installed on the front of the mower. See dealer or manufacturer for model and part number. Some options are listed below.

Ferris® Mower Counterweight 5047485B

John Deere® Counterweight MIA 13011

**Bad Boy® Counterweight kits 088221000, 088-2215-00,
088220000**

MTD Cub Cadet® Counterweight 723-0381

It is highly recommended that this unit be attached to mowers with 60 inch or greater mower deck for stability and maneuverability reasons.



Part Numbers - Description

Model LSHZ-9****

Item	Qty	Part Number	Description
1	1	12220	Assembly, Base
2	1	1100-062	Assembly, Housing, Blower
3	1	11348	Assembly, Tubular, Protective
4	1	1100-007	Impeller, 17"
8	1	1100-04B	Assembly, Intake Ring
9	4	11916	Bolt, HHCS, 5/16-24 X 1
10	4	11904	Washer, Split Lock, 5/16
11	15	11815	Bolt, HHCS, 5/16-18 X 1
12	3	11905	Nut, Nylon Lock, 5/16-18
13	1	1100-006	Bushing, Taper Lock
14	6	1100-003REV	Assembly, Standoff, Guard Support
16	1	1100-012	Key Stock, 1/4 X 2
17	1	1100-04AREV	Assembly, Guard, Intake
18	1	1100-018	Assembly, Flap Discharge
19	2	1100-016	Screw, Thumb, 5/16-18 X 3/4
20	22	11156	Washer, USS, 1/4
21	3	1100-006-SH1	Bolt, HHCS, 1/4-20 X 1 3/8
22	3	1100-006SH2	Washer, Split Lock, Std, 1/4
23	1	Engine	Specify
24	1	11214	Assembly, Mount, Universal